

XDS560R ***JTAG Emulator***

*Technical
Reference*

XDS560R
JTAG Emulator
Installation Guide

507355-0001 Rev. B
August 2006

SPECTRUM DIGITAL, INC.
120502 Exchange Drive, #440 Stafford, TX. 77477
Tel: 281.494.4500 Fax: 281.494.5310
sales@spectrumdigital.com www.spectrumdigital.com

IMPORTANT NOTICE

Spectrum Digital, Inc. reserves the right to make changes to its products or to discontinue any product or service without notice, and advises its customers to obtain the latest version of relevant information to verify, before placing orders, that the information being relied on is current.

Spectrum Digital, Inc. warrants performance of its products and related software to current specifications in accordance with Spectrum Digital's standard warranty. Testing and other quality control techniques are utilized to the extent deemed necessary to support this warranty.

Please be aware that the products described herein are not intended for use in life-support appliances, devices, or systems. Spectrum Digital does not warrant nor is liable for the product described herein to be used in other than a laboratory development environment. Use in any other environment voids the warranty.

Spectrum Digital, Inc. assumes no liability for applications assistance, customer product design, software performance, or infringement of patents or services described herein. Nor does Spectrum Digital warrant or represent any license, either express or implied, is granted under any patent right, copyright, or other intellectual property right of Spectrum Digital, Inc. covering or relating to any combination, machine, or process in which such Digital Signal Processing development products or services might be or are used.

WARNING

This equipment is intended for use in a laboratory test environment only. It generates, uses, and can radiate radio frequency energy and has not been tested for compliance with the limits of computing devices pursuant to subpart J of part 15 of FCC rules, which are designed to provide reasonable protection against radio frequency interference. Operation of this equipment in other environments may cause interference with radio communications, in which case the user at his own expense will be required to take whatever measures may be required to correct this interference.

TRADEMARKS

Windows 2000, and Windows XP are registered trademarks of Microsoft Corp.

Code Composer and Code Composer Studio is a trademark of Texas Instruments

Contents

1	Introduction to the XDS560R JTAG Emulator	1-1
	<i>Provides an overview of the XDS560R emulator along with the keys features.</i>	
1.0	Overview of the XDS560R	1-2
1.1	Key Features of the XDS560R	1-2
1.2	Key Items on the XDS560R	1-3
1.3	Support for Low Voltage DSPs	1-3
2	Installing the XDS560R JTAG Emulator	2-1
	<i>Lists the hardware and software you'll need to install the XDS560R JTAG Emulator, and the installation procedure of the XDS560R in your system.</i>	
2.1	What You'll Need	2-2
	Hardware checklist	2-2
2.2	Installing the XDS560R JTAG Emulator	2-3
2.2.1	XDS560R JTAG Emulator Installation Checklist	2-3
2.3	Connecting the XDS560R to the Target Board	2-6
2.4	XDS560R LEDs	2-7
2.5	RESET Switch	2-8
3	Specifications For Your Target System's Connection to the Emulator	3-1
	<i>Contains information about connecting your target system to the XDS560R US JTAG Emulator</i>	
3.1	Designing Your Target System's Emulator Connector	3-2
3.2	Bus Protocol	3-4
3.3	XDS560R Emulator Cable Pod Logic	3-5
3.4	XDS560R Emulator Cable Pod Signal Timing	3-7
3.4.1	Emulation Timing Calculations	3-8
3.5	Connections Between the Emulator and Target System	3-10
3.5.1	Buffering Signals	3-10
3.5.2	Using a Target System Clock	3-12
3.5.3	Configuring Multiple Processors	3-13
3.6	EMU0-EMU1 Signal Consideration	3-14
3.7	Changing Target Cables	3-16
3.8	Target Cable Mechanical Dimensions	3-21
Appendix A	Mechanical Information	A-1
A.1	Mechanical Dimensions of the XDS560R JTAG Emulator	A-2

About This Manual

This document describes the module level operations of the XDS560R JTAG Emulator. This emulator is designed to be used with digital signal processors (DSPs) and microcontrollers designed by Texas Instruments.

The XDS560R JTAG Emulator is a table top module that attaches to a personal computer or laptop to allow hardware engineers and software programmers to develop applications with DSPs and microcontrollers.

Notational Conventions

This document uses the following conventions.

The XDS560R JTAG Emulator will sometimes be referred to as the XDS560R, JTAG Emulator, or Emulator.

Program listings, program examples, and interactive displays are shown in a special italic typeface. Here is a sample program listing.

```
equations  
!rd = !strobe&rw;
```

Information About Cautions

This book may contain cautions.

This is an example of a caution statement.

A caution statement describes a situation that could potentially damage your software, or hardware, or other equipment. The information in a caution is provided for your protection. Please read each caution carefully.

Related Documents

Texas Instruments Code Composer and Code Composer Studio Users Guide

Chapter 1

Introduction to the XDS560R JTAG Emulator

This chapter provides you with a description of the XDS560R JTAG Emulator along with the key features.

Topic	Page
1.0 Overview of the XDS560R JTAG Emulator	1-2
1.1 Key Features of the XDS560R JTAG Emulator	1-2
1.2 Key Items on the XDS560R JTAG Emulator	1-3

1.0 Overview of the XDS560R JTAG Emulator

The XDS560R JTAG Emulator is designed to be used with digital signal processors (DSPs) and microprocessors which operate from +1.0 to +5 volt levels on the JTAG interface. The power for the emulator comes from the provided supply. This means no power is drawn from the target system or host PC.

The XDS560R is designed to be compatible with the existing Texas Instruments XDS560 emulator and operates with debuggers provided by Texas Instruments.

1.1 Key Features of the XDS560R JTAG Emulator

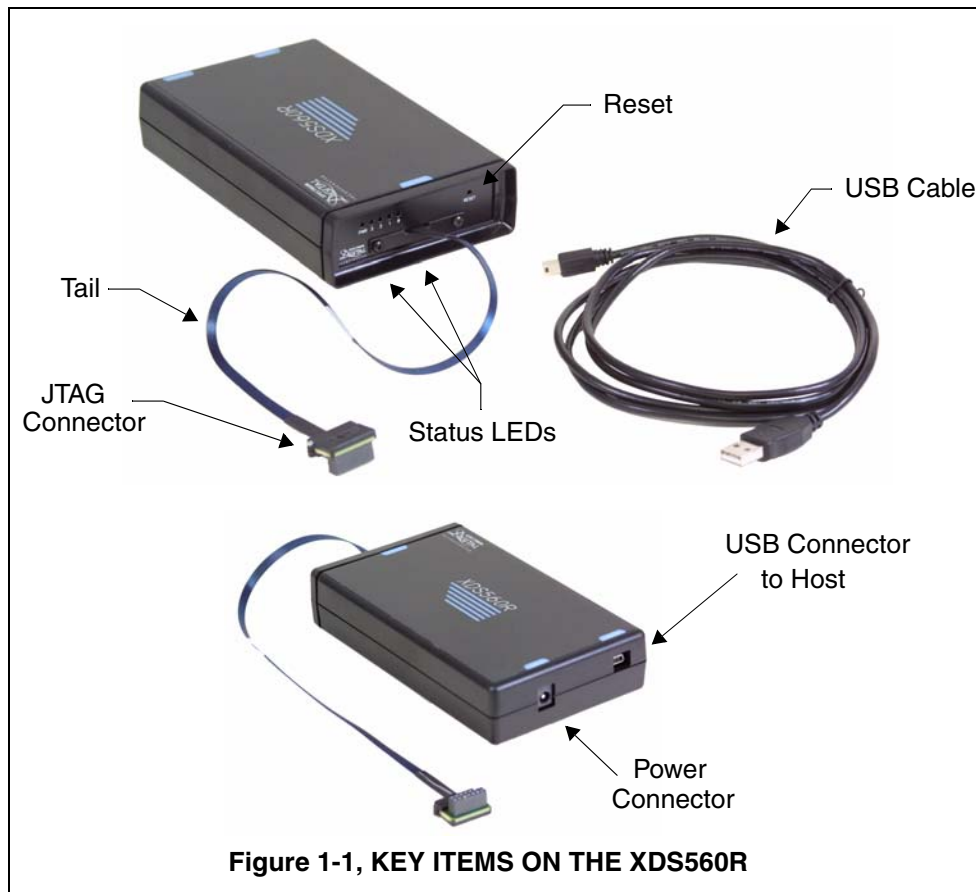
The XDS560R JTAG Emulator has the following features:

- Supports Texas Instrument's Digital Signal Processors with JTAG interface (IEEE 1149.1)
- Compatible with Texas Instrument's XDS560 emulator.
- Modular tail connector for alternate JTAG headers.
- Advanced emulation controller provides high performance.
- Compatible with USB 2.0 interface on host PC, no adapter card required.
- Supports +1.0 volt to +5 volt JTAG interfaces.
- 5 LEDs for operational status.
- User accessible RESET switch
- Power provided by supplied power supply
- Compatible with Texas Instruments Code Composer Studio, DSP BIOS, RTDX, and HSRTDX
- Compatible with Windows 2000, and Windows XP Operating Systems

1.2 Key Items on the XDS560R JTAG Emulator

Figure 1-1 shows the XDS560R. The key items identified are:

- Status LEDs
- JTAG connector
- Tail
- USB connector to the host PC or hub
- Power connector to power supply



Chapter 2

Installing the XDS560R JTAG Emulator

This chapter helps you install the XDS560R JTAG Emulator. For use with specific software packages such as the TI's Code Composer/Studio refer to their respective documentation.

Topic	Page
2.1 What You'll Need	2-2
Hardware checklist	2-2
2.2 Installing the XDS560R JTAG Emulator	2-3
2.2.1 XDS560R JTAG Emulator Installation Checklist	2-3
2.3 Connecting the XDS560R to the Target Board	2-6
2.4 XDS560R LEDs	2-7
2.5 RESET Switch	2-8

2.1 What You'll Need

The following checklists detail items that are shipped with the XDS560R JTAG emulator and additional items you'll need to use these tools.

Hardware checklist

- host** An IBM PC/AT or 100% compatible PC or laptop running Windows XP or Windows 2000 with the following peripherals: a hard-disk system, a CD-ROM disk drive, a USB port
- memory** Minimum of 32MB
- display** Color VGA or LCD
- emulator module** XDS560R JTAG emulator with power supply, USB cable
- target system** A board with a TI DSP or Microcontroller and power supply
- connector to target system** Standard 14-pin (2x7) or 20-pin CTI (2x10) connector --- see Chapter 3 for more information about these connectors

Software checklist

Please refer to the Quick Start Guide for the specific requirements of the software development tool chain you are using.

2.2 Installing the XDS560R JTAG Emulator

This section contains the steps for installing the XDS560R JTAG Emulator.

WARNING !

Target Cable Connectors:

Be very careful with the target cable connectors. connect them gently; don't force them into position, or you may damage the connectors.

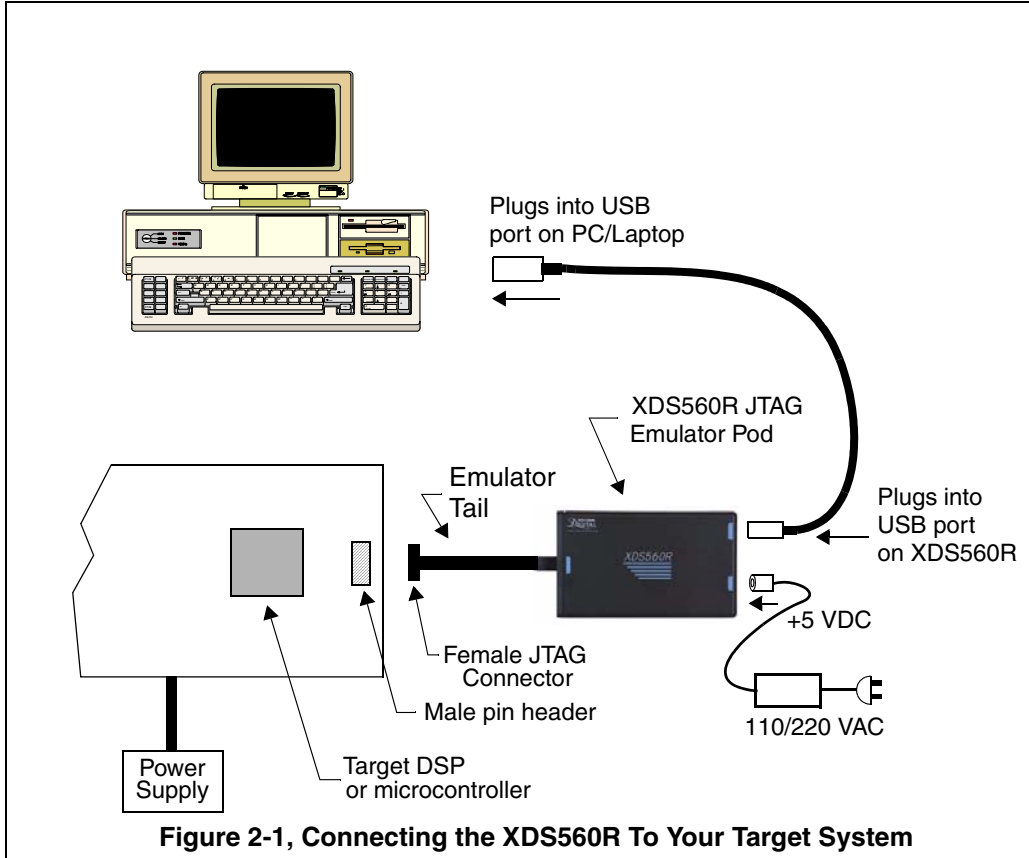
Do **not** connect or disconnect the emulator tail while the target system is powered up.

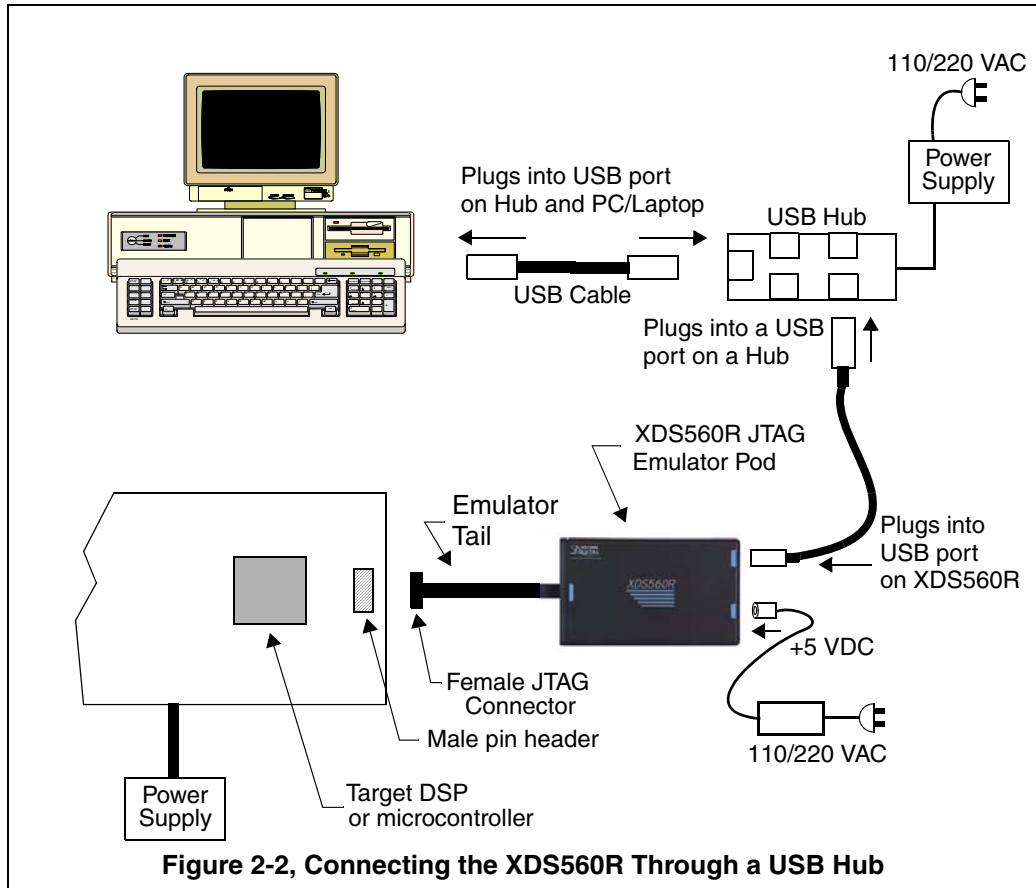
2.2.1 XDS560R USB Installation Checklist

The following section provides instructions to install XDS560R using the USB interface. To install the XDS560R JTAG emulator using the USB interface execute the following checklist:

- Turn off the power to your target board.
- Connect the supplied USB cable to your PC or laptop. If you connect the USB cable to a USB hub be sure the hub is connected to the PC or laptop and power is applied to the hub.
- Connect the included +5V power adapter brick to your wall AC power source using the AC power cord.
- Apply power to the XDS560R by connecting the power brick to the +5V input on the XDS560R located at the rear of the emulator. when power is connected the "PWR" led on the XDS560R should illuminate. After about 3 seconds LED 0 should begin blinking slowly and LED 1-3 should begin sequencing. At this point the XDS560R has gone through it's power on self-test, entered boot mode and is ready for USB enumeration.
- Make sure your driver CD-ROM is installed in your CD-ROM drive. Your system configuration should now look like that in Figure 2-1 or Figure 2-2. Now connect the XDS560R to your PC using the supplied USB cable. At this point led 0 should begin blinking at a faster rate and windows will launch its "Add New Hardware Wizard" and prompt for the location of the XDS560R drivers. Follow the instructions in the Quick Start Guide for the software tools you are using.
- Now connect the tail of the emulator to the header on your target board. Apply power to the target board

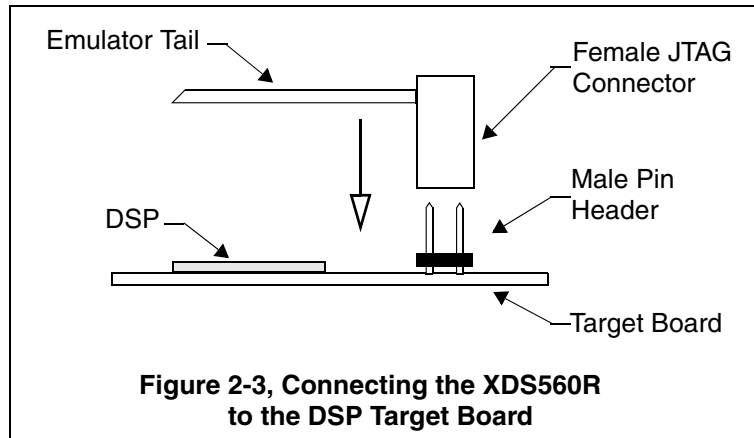
Figures 2-1 and 2-2 show two typical configurations in which the XDS560R can be used with a host PC and target board.





2.3 Connecting the XDS560R to the Target Board

The female JTAG connector attached to the end of the emulator tail plugs onto the target's male pin header. The figure below shows how the XDS560R emulator header plugs onto the target's JTAG header



2.4 XDS560R LEDs

The XDS560R has five (5) Light Emitting Diodes (LEDs). These LEDs provide the user with the status of the emulator. The position of each LED is shown in the diagram below.

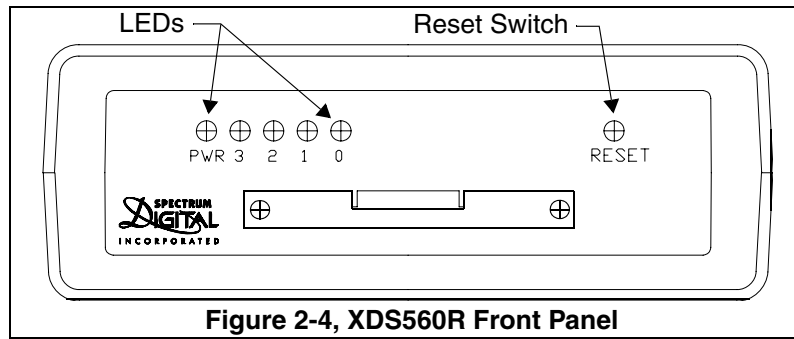


Figure 2-4, XDS560R Front Panel

The meaning of the LED is described in the table below.

Table 1: XDS560R LEDs

LED Name	Function
PWR	Emulator power indicator
3	EMU application is active
2	USB Traffic -1
1	USB Traffic -0
0	USB Cable connected/Heartbeat

PWR LED - When illuminated emulator +5V is on

LED 3 - Indicates that emulation application is active

LED 2,1 - USB traffic status

LED 0 - A slow flash indicates the USB cable is disconnected
A fast flash indicates the USB cable is connected and the emulation operating system is running.

On power up LEDs 1-3 will sequence to indicate the emulator is in boot load mode and ready for an emulation session. Once the emulation sequence begins LEDs 1-3 show the status described in the table above.

2.5 RESET Switch

If the emulator becomes non-responsive the unit can be reset by depressing the RESET switch. The RESET switch is recessed and should be depressed with a non-metallic tool.

A non-responsive unit exhibits the following symptoms:

1. LED 0 stops flashing
2. The target debugger on the host failed multiple times and LEDs 1-3 do not flash or sequence.

Chapter 3

Specifications For Your Target System's Connection to the Emulator

This chapter contains information about connecting your target system to the emulator. Your target system must use a special 14 or 20-pin connector for proper communication with the emulator.

Topic	Page
3.1 Designing Your Target System's Emulator Connector	3-2
3.2 Bus Protocol	3-4
3.3 XDS560R Emulator Cable Pod Logic	3-5
3.4 XDS560R Emulator Cable Pod Signal Timing	3-7
3.4.1 Emulation Timing Calculations	3-8
3.5 Connections Between the Emulator and Target System	3-10
3.5.1 Buffering Signals	3-10
3.5.2 Using a Target System Clock	3-12
3.5.3 Configuring Multiple Processors	3-13
3.6 EMU0-EMU1 Signal Consideration	3-14
3.7 Changing Target Cables	3-16
3.8 Target Cable Mechanical Dimensions	3-21

3.1 Designing Your Target System’s Emulator Connector (14-pin Header)

Certain devices support emulation through a dedicated emulation port. This port is a superset of the IEEE 1149.1 (JTAG) standard and is accessed by the emulator. To perform emulation with the emulator, your target system must have a 14-pin (2x7) or 20-pin CTI (2x10) connector with the connections that are shown in Figure 3-1. Table 1 describes the emulation signals.

TMS	1	2	TRST-	
TDI	3	4	GND	Header Dimensions
PD	5	6	no pin (key)	Pin-to-Pin spacing, 0.100 in. (X,Y)
TDO	7	8	GND	Pin width, 0.025-in. square post
TCK-RET	9	10	GND	Pin length, 0.235-in. nominal
TCK	11	12	GND	
EMU0	13	14	EMU1	

Figure 3-1, 14 Pin Header Signals and Dimensions

Although you can use other 14 pin target headers, recommended parts include:

- straight header, unshrouded DuPont Connector Systems, part # 67996-114
- right-angle header, unshrouded DuPont Connector Systems, part # 68405-114

TMS	1	2	TRST-	
TDI	3	4	GND	Header Dimensions
PD	5	6	no pin (key)	Pin-to-Pin spacing, 0.100 in. (X)
TDO	7	8	GND	Pin-to-Pin spacing, 0.050 in. (Y)
TCK-RET	9	10	GND	Female connector on adapter:
TCK	11	12	GND	Samtec: RSM-110-02-S-D
EMU0	13	14	EMU1	
SRST	15	16	GND	
EMU2	17	18	EMU3	
EMU4	19	20	GND	

Figure 3-2, 20 Pin Header Signals and Dimensions

A recommended target based 20 pin connector is, SAMTEC part # FTR-110-03-G-D-06

Table 1: 14/20-Pin Header Signal Description

Pin #	Signal	Description	Emulator State	Target State
1	TMS	JTAG test mode select.	Output	Input
3	TDI	JTAG test data input.	Output	Input
4,8, 10,12	GND			
7	TDO	JTAG test data output.	Input	Output
11	TCK	JTAG test clock. TCK is a 12-MHz clock source from the emulation pod. This signal can be used to drive the system test clock.	Output	Input
2	TRST-	JTAG test reset.	Output	Input
13	EMU0	Emulation pin 0.	I/O	I/O
14	EMU1	Emulation pin 1.	I/O	I/O
5	PD	Presence detect. Indicates that the emulation cable is connected and that the target is powered up. PD should be tied to the target processor's I/O pins Vcc.	Input	Output
9	TCK_RET	JTAG test clock return. Test clock input to the emulator. May be a buffered or unbuffered version of TCK.	Input	Output
15	SRST *	ARM style target reset	I/O	Open drain
16	GND			
17	EMU2 *	Emulation pin 2.	I/O	I/O
18	EMU3 *	Emulation pin 3.	I/O	I/O
19	EMU4 *	Emulation pin 4.	I/O	I/O
20	GND			

* Reserved for future emulation software support

3.2 Bus Protocol

The IEEE 1149.1 specification covers the requirements for JTAG bus slave devices (such as the TMS320C5x family) and provides certain rules, summarized as follows:

- ___ The TMS/TDI inputs are sampled on the rising edge of the TCK signal of the device.

- ___ The TDO output is clocked from the falling edge of the TCK signal of the device

When JTAG devices are daisy-chained together, the TDO of one device has approximately a half TCK cycle set up to the next device's TDI signal. This type of timing scheme minimizes race conditions that would occur if both TDO and TDI were timed from the same TCK edge. The penalty for this timing scheme is a reduced TCK frequency.

The IEEE 1149.1 specification does not provide rules for JTAG bus master (emulator) devices.

3.3 XDS560R Emulator Cable Pod Logic

Figure 3-3 shows a portion of the XDS560R emulator cable pod. The following items are characteristics of the XDS560R pod:

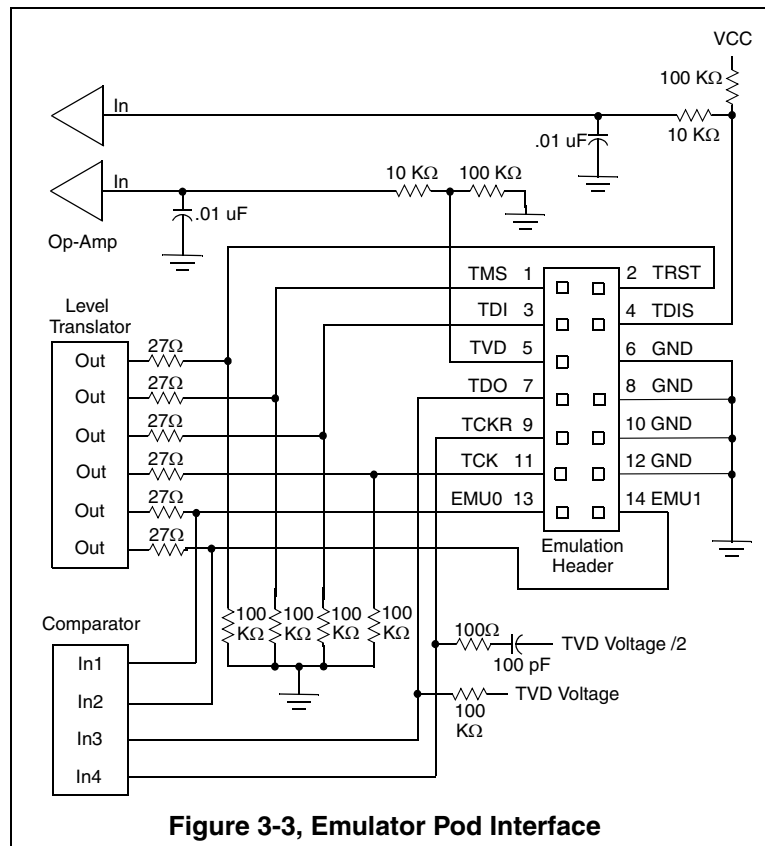
- ❑ Signals TMS, TDI and TRST are series terminated to reduce signal reflections.
- ❑ The TCK signal output has a medium-current drive capability of 24 mA I_{OL}/I_{OH} . The TCK signal is AC termination on the return side of the TCK (TCK_RET). The termination voltage is set to 1/2 of the TVD voltage to minimize loading effects.
- ❑ The TDO signal from the slave device is terminated at the pod of the cable with a 10 KW resistor pulled up to the same voltage as set by TVD voltage.
- ❑ The trigger level for high-to-low and low-to-high transition for TDO, TCK_RET, and EMU0/EMU1 is set to 1/2 of the TVD signal. For TVD voltages greater than 3.3 V, the trigger level is set to approximately 1.65 V.
- ❑ Signals TMS and TDI, by default, are generated on the rising-edge of the TCK_RET signal, but can be generated from the falling edge of TCK_RET to be in accordance with the IEEE 1149.1 bus slave device timing rules.
- ❑ The pod provides a programmable (TCK) test clock source. The range of this TCK is 500 KHz to 50 MHz, but the operation is limited by timing of various signals and the target devices. Note: All timing for the pod and emulator are from the TCK_RET signal, therefore a user may provide their own test clock (TCK).
- ❑ All output signals from the pod are Hi-Z, whenever the pod power is turned on or TVD signal is reduced by more than one third of its reset voltage.
- ❑ Signals TCK, TMS, TDI, and TRST have a 100 KW pull-down resistor. This is to ensure that the target inputs are at a set level given that the outputs from the XDS560R pod are Hi-Z after a power failure or disconnect.
- ❑ Pin 4 of the emulation header is the Target Disconnect (TDIS) signal. This signal is used to detect if the target pod is connected to a target board. Pin 4 on the user target board must be connected to ground.
- ❑ The impedance of the emulation pod cable is 50 ohms.
- ❑ Design Note: Pin 6 of the target emulation header is normally connected to a ground signal on the target board. The target board designer may use this pin 6 as an optional Host Disconnect (HDIS) signal. This signal could be used within the target board to detect if the JTAG emulator cable/pod header is connected.

To support selection of the proper I/O voltage, the target header has a Target Voltage Detect (TVD) signal. This signal (pin 5) should be tied to the I/O voltage of the target processor.

If the target system needs to supports multiple I/O voltages on the scan string, the lowest voltage devices should be placed first.

A translation buffer should be used to connect the rest of the scan string. TCK, TMS, and TRST must have similar considerations.

Two copies of each signal may be required with each driving a different voltage level.



3.4 XDS560R Emulator Cable Pod Signal Timing

Figure 3-4 shows the default timing waveforms for the XDS560R emulator cable pod. The table below defines the timing parameters. These timing parameters are calculated from values specified in the standard data sheets for the emulator and cable pod and are for reference only.

The presented timing parameters are calculated for the end of the 14-pin target cable header. Texas Instruments does not test or guarantee these timings.

The XDS560 emulator cable pod uses TCK_RET as its clock source for internal synchronization. TCK is provided as an optional target system test-clock source.

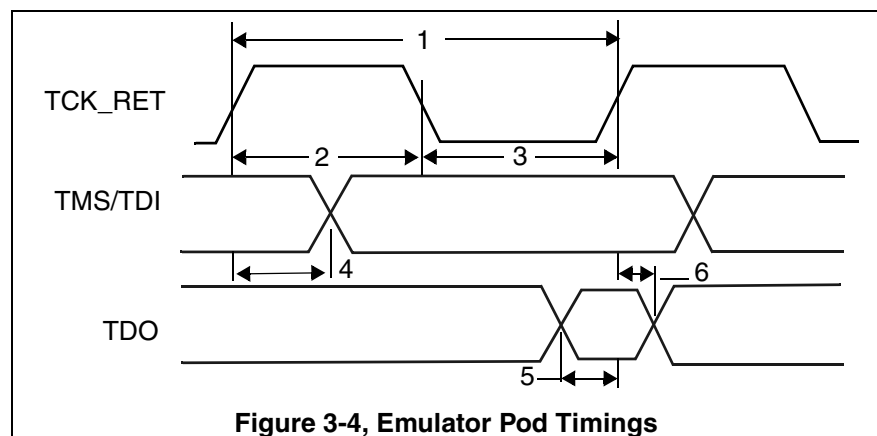


Table 2: Emulator Pod Timing Parameters

No	Reference	Description	Min	Max	Units
1	$t_c(\text{TCK})$	Cycle time, TCK_RET	20		ns
2	$t_w(\text{TCKH})$	Pulse duration, TCK_RET high	10		ns
3	$t_w(\text{TCKL})$	Pulse duration, TCK_RET low	10		ns
4	$t_{pd}(\text{TMS-TDI})$	Delay time, TMS/TDI valid from TCK_RET high	18	31	ns
5	$T_{su}(\text{TDO})$	Setup time, TDO valid before TCK_RET high	2.5		ns
6	$T_{hd}(\text{TDO})$	Hold time, TDO valid after TCK_RET high	0		ns

Note: The delay timing for TMS/TDI valid is calculated for the default rising edge TCK_RET. The delay time for TMS/TDI valid for a falling edge TCK_RET configuration is vary similar.

3.4.1 Emulation Timing Calculations

The following examples help you calculate emulation timings in your system. For actual target timing parameters, see the appropriate device data sheet.

Assumptions:

tsu(TTMS)	Setup time, target TMS/TDI before TCK high	10 ns
tpd(TTDO)	Delay time, TCK low to valid target TDO	15 ns
tpd(bufmax)	Delay time, target buffer - maximum	10 ns
tpd(bufmin)	Delay time, target buffer - minimum	1 ns
T(bufskew)	Skew time, target buffer between two devices in the same package:	1.35 ns
	$[t_{d(bufmax)} - t_{d(bufmin)}] \times 0.15$	
T(TCKfactor)	40/60 clock duty cycle	0.4(40%)

Given in Table 2 above:

td(TMSmax)	Delay time, emulator TMS/TDI valid from TCK_RET high	31 ns
tsu(TDOmin)	Setup time, TDO before emulator TCK_RET high, minimum 2.5 ns	2.5 ns

There are two key timing paths to consider in the emulation design:

- The TCK_RET-to-TMS/TDI path, called $t_{pd}(TCK_RET-TMS/TDI)$, and
- The TCK_RET-to-TDO path, called $t_{pd}(TCK_RET-TDO)$.

Of the following two cases (Equation 3-1 and Equation 3-2), the *worst-case path delay* is calculated to determine the maximum system test clock frequency.

Equation 3-1. Key Timing Path Case 1

Case 1: Single processor, direct connection, TMS/TDI timed from TCK_RET high.

$$\begin{aligned}
 t_{pd}(TCK_RET - TMS/TDI) &= t_{pd}(TMSmax) + t_{su}(TTMS) \\
 &= 31 \text{ ns} + 10 \text{ ns} \\
 &= 41 \text{ ns (24.4 MHz)}
 \end{aligned}$$

$$\begin{aligned}
 t_{pd}(TCK_RET - TDO) &= [t_{d}(TTDO) + t_{su}(TDOmin)] / t_{(TCKfactor)} \\
 &= [15 \text{ ns} + 2.5 \text{ ns}] / 0.4 \\
 &= 43.75 \text{ ns (22.9 MHz)}
 \end{aligned}$$

In this case, the TCK_RET-to-TDO path is the limiting factor.

Equation 3-2. Key Timing Path Case 2

Case 2: Single/multiprocessor, TMS/TDI/TCK buffered input, TDO buffered output, TMS/TDI timed from TCK_RET high.

$$\begin{aligned} t_{pd}(TCK_RET - TMS/TDI) &= t_d(TMSmax) + t_{su}(TTMS) + t_{(bufskew)} \\ &= [31 \text{ ns} + 10 \text{ ns} + 1.35 \text{ ns}] \\ &= 42.35 \text{ ns} \text{ (23.6 MHz)} \end{aligned}$$

$$\begin{aligned} t_{pd}(TCK_RET - TDO) &= [t_d(TTDO) + t_{SU}(TDOmin) + t_{d(bufmax)}] / t_{(TCKfactor)} \\ &= [15 \text{ ns} + 2.5 \text{ ns} + 10 \text{ ns}] / 0.4 \\ &= 68.75 \text{ ns} \text{ (14.5 MHz)} \end{aligned}$$

In this case, the TCK_RET-to-TDO path is the limiting factor.

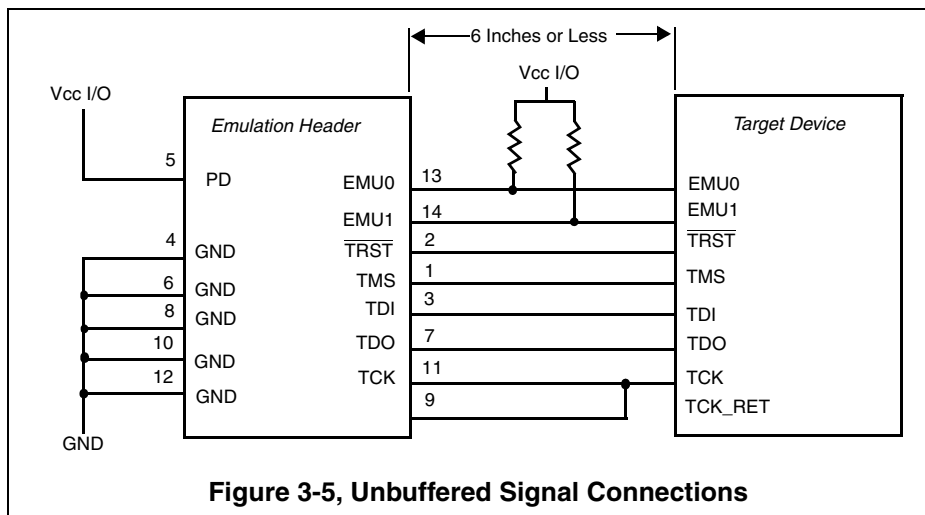
3.5 Connections Between the Emulator and the Target System

It is extremely important to provide high-quality signals between the emulator and the JTAG target system. Depending upon the situation, you must supply the correct signal buffering, test clock inputs, and multiple processor interconnections to ensure proper emulator and target system operation.

Signals applied to the EMU0 and EMU1 pins on the JTAG target device can be either an input or an output (I/O). In general, these two pins are used as both input and output in multiprocessor systems to handle global run/stop operations.

3.5.1 Buffering Signals

If the distance between the emulation header and the JTAG target device is greater than six inches, the emulation signals must be buffered. If the distance is less than six inches, no buffering is necessary. The following illustrations depict these two situations.



- No signal buffering. In this situation, the distance between the header and the JTAG target device should be no more than six inches.

The EMU0 and EMU1 signals must have pull-up resistors connected to VCC to provide a signal rise time of less than 10 us. A 4.7-kW resistor is suggested for most applications.

Buffered transmission signals. In this situation, the distance between the emulation header and the processor is greater than six inches. Emulation signals TMS, TDI, TDO, and TCK_RET are buffered through the same package.

Importance of Good Design Practices

The target board designer should use good design practices to minimize signal crosstalk and signal skew. The designer must also take into account any propagation delays of these signals and the effect that they will have on the timing of the emulation.

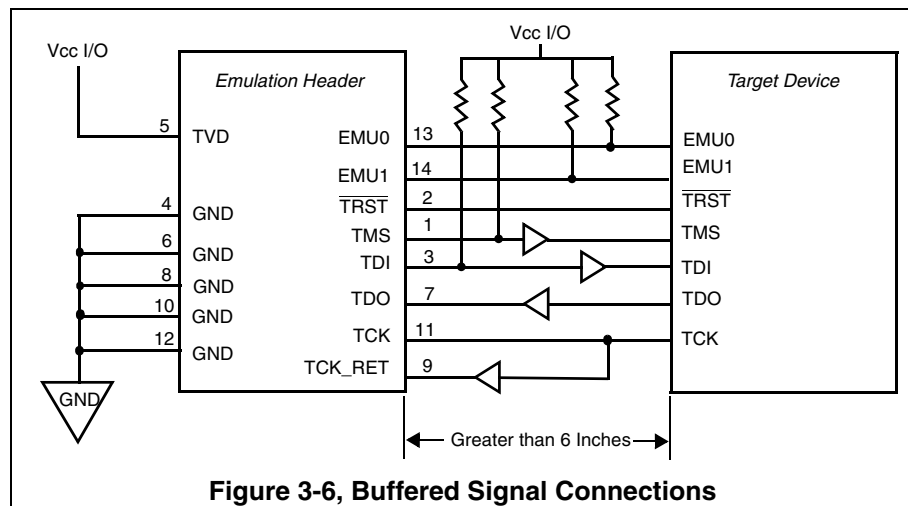


Figure 3-6, Buffered Signal Connections

- ❑ The EMU0 and EMU1 signals must have pull-up resistors connected to V_{CC} to provide a signal rise time of less than 10 us. A 4.7 kW resistor is suggested for most applications.
- ❑ The input buffers for TMS and TDI should have pull-up resistors connected to V_{CC} to hold these signals at a known value when the emulator is not connected. A resistor value of 4.7 kW or greater is suggested.
- ❑ To have high-quality signals (especially the processor TCK and the emulator TCK_RET signals), you may have to employ special care when routing the PWB trace. You also may have to use termination scheme, which is appropriate for your design to match the trace impedance. The emulator pod provides optional internal parallel terminators on the TCK_RET and TDO. TMS and TDI provide fixed series termination.
- ❑ Since TRST is an asynchronous signal, it should be buffered as needed to insure sufficient current to all target devices.
- ❑ Additional considerations should be taken into account when designing a target board. Such considerations include signal loading of vias and the like.

3.5.2 Using a Target-System Clock

Figure 3-7 shows an application with the system test clock generated in the target system. In this application, the TCK signal is left unconnected.

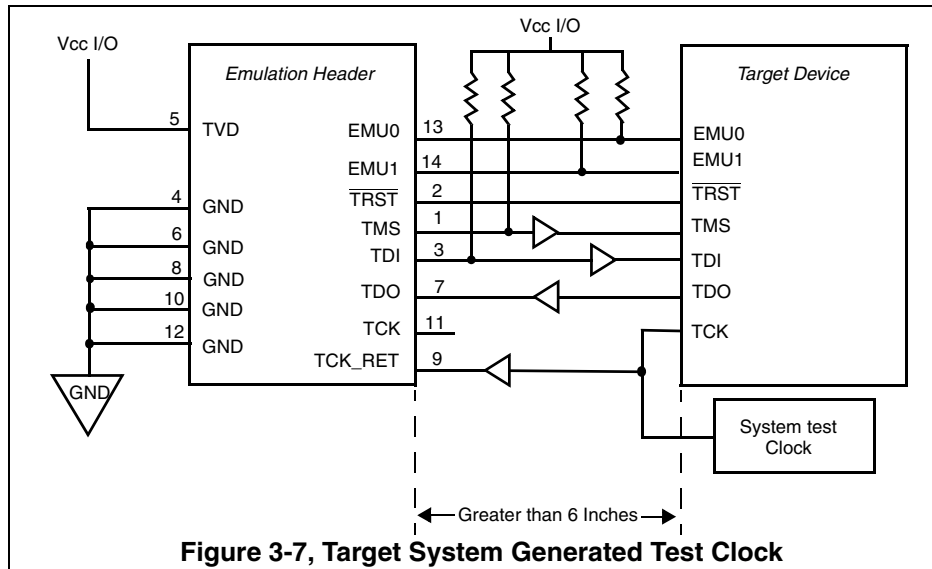


Figure 3-7, Target System Generated Test Clock

Note: When the TMS/TDI lines are buffered, pull-up resistors should be used to hold the buffer inputs at a known level when the emulator cable is not connected.

A benefit to having the target system generate the test clock, there may be other devices in your system that require a test clock when the emulator is not connected. The system test clock also serves this purpose.

3.5.3 Configuring Multiple Processors

Figure 3-8 shows a typical series linked multiprocessor configuration, which meets the minimum requirements of the IEEE 1149.1 standard. The emulation signals in this example are buffer to isolate the processor from the emulation and provide adequate signal drive for the target system. One of the benefits of this type of interface is that you can generally slow down the test clock to eliminate timing problems. Use the following guidelines for multiprocessor support:

- ❑ The processor TMS, TDI, TDO, and TCK signals should be buffered through the same physical package for better control of timing skew.
- ❑ The input buffers of TMS, TDI, and TCK should have pull-up resistors connected to V_{CC} I/O to hold these signals at a known value when the emulator is not connected. A resistor value of 4.7 kW or greater is suggested.
- ❑ Buffering EMU0 and EMU1 is optional but highly recommended to provide isolation. These are not critical signals and do not have to be buffered through the same physical package a TMS, TCK, TDI, and TDO. Unbuffered and buffered signals are shown in this section.

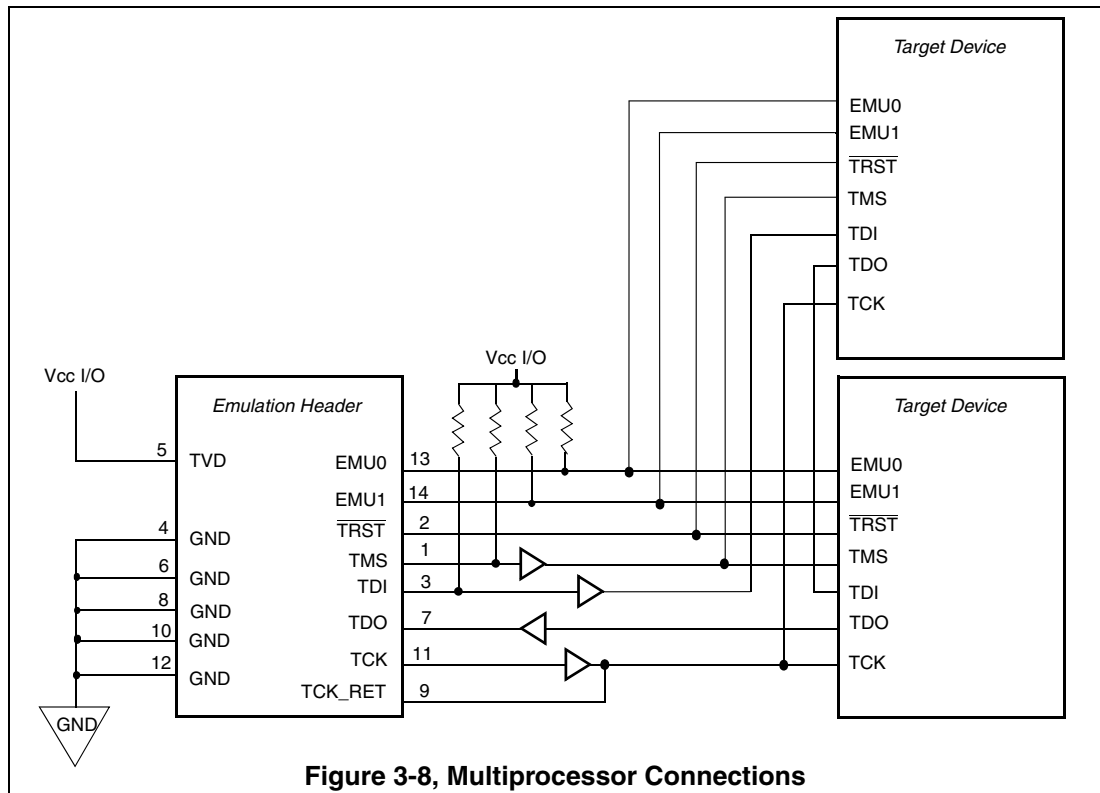


Figure 3-8, Multiprocessor Connections

3.6 EMU0-EMU1 Signal Considerations

The EMU0-EMU1 signals are bi-directional multifunctional signals. These signals are used for software benchmarking and software profiling.

On multi-processor systems, they can be used to assist in debugging by causing an interrupt or breakpoint to occur from one device to another. These signals are used for HS-RTDX (High-Speed Real Time Data eXchange).

HS-RTDX is a form of bi-directional data transfer.

Each EMU signal supports a single channel of data transfer.

This form of communication uses TCK and the EMU0 and/or EMU1 to achieve up to 2 Megabytes/second transfer rate. Also, the EMU0-EMU1 signals may be used to select different modes of the device.

These modes are set when the device RESET signal is release, for normal emulation the EMU0-EMU1 signal should be pulled high to the device Input/Output voltage.

For designs with target devices that don't support HS-RTDX the only requirement is that it is necessary to ensure that the EMU0-EMU1 lines can go from a logic low level to a logic high level in less than 10 us. This can be calculated using the formula in Equation 3-3:

Equation 3-3. Calculating EMU0-EMU1 Lines That Don't Support HS-RTDX

$$\begin{aligned}t_r &= 5 (R_{pullup} \times N_{devices} \times C_{load_per_device}) \\ &= 5(4.7KW \times 16 \text{ 15pf}) \\ &= 5.64 \text{ us.}\end{aligned}$$

For designs with target devices that support HS-RTDX, the requirements are the same for a low number of devices. But as the number devices increases the response of the EMU0-EMU1 signal will increase which will require the user to reduced the TCK frequency.

To maximize the TCK rate, the user will be required to manually adjust the TCK frequency and run the HS-RTDX confidence tests until a frequency is found where the HS-RTDX confidence tests pass reliability.

It is suggested that after a frequency is found, that the user reduce the frequency by additional 10% to guarantee that temperature and environmental changes don't affect the operation of the emulator.

For some multi-processor designs crossbar technology (CBT) devices could be used to break the number of devices into a bank of devices.

The CBT device could be used to limit the number of devices that the driving EMU0-EMU1 signal is loaded with; thereby limiting the amount of capacitance loading that is seen by the driving EMU0-EMU1 signal.

Using this solution would require the user to have a manual jumper selection to enable which bank of devices that emulator would be able to establish HSRTDX communication with.

Figure 3-9 shows a possible solution to minimize the loading effects of having too many target devices connected on the EMU0/EMU1 signals.

Please refer to Section 3.5 for recommended connections of the JTAG signals.

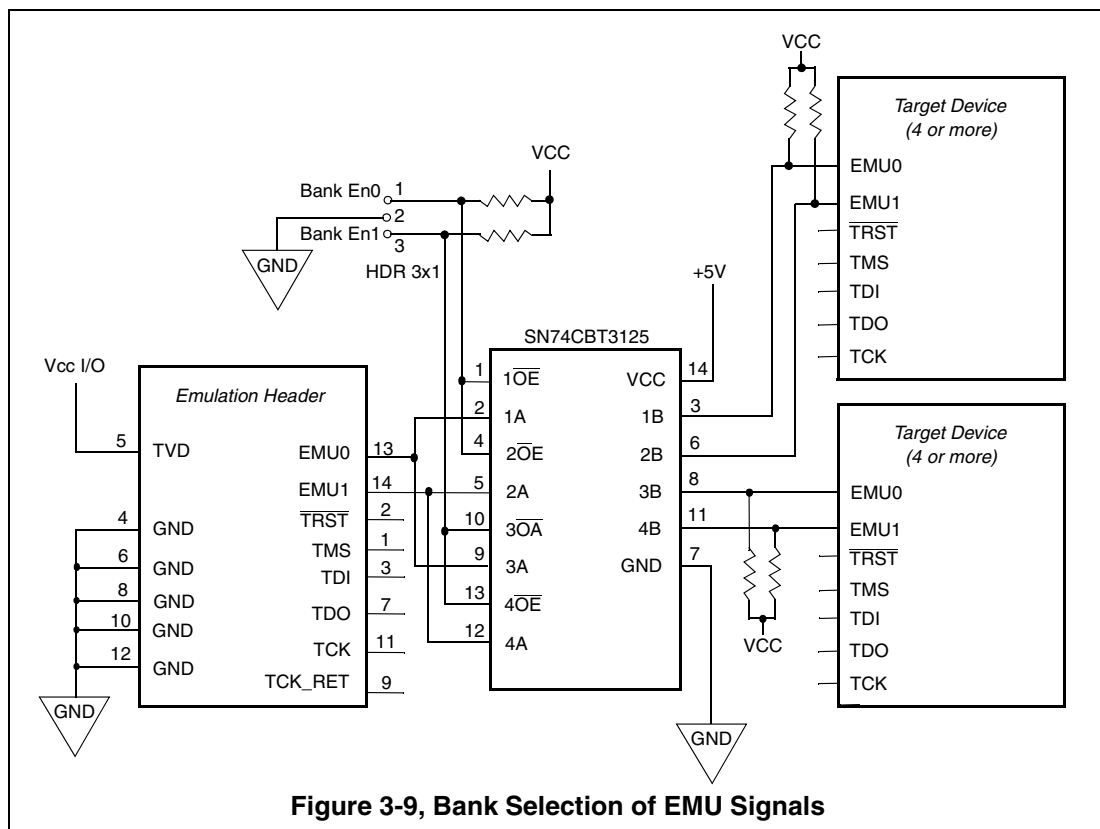


Figure 3-9, Bank Selection of EMU Signals

3.7 Changing Target Cables

As new processors are developed different JTAG headers will be required. The XDS560R has a removable target cable (tail) to accommodate these new header requirements. To change the target cable use the following steps:

- Turn off the power to the target board.
- Remove the power from the XDS560R emulator.



- Remove the USB cable from the XDS560R emulator.



- ❑ Remove the JTAG header from the target board.

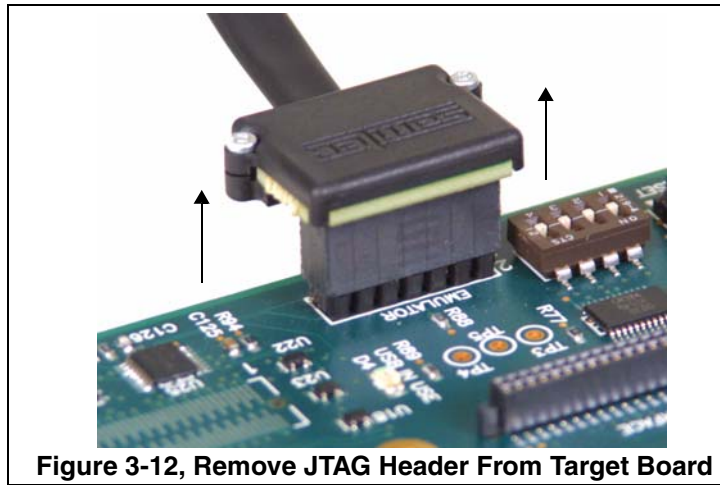


Figure 3-12, Remove JTAG Header From Target Board

- ❑ Remove the two front panel screws from the XDS560R emulator.

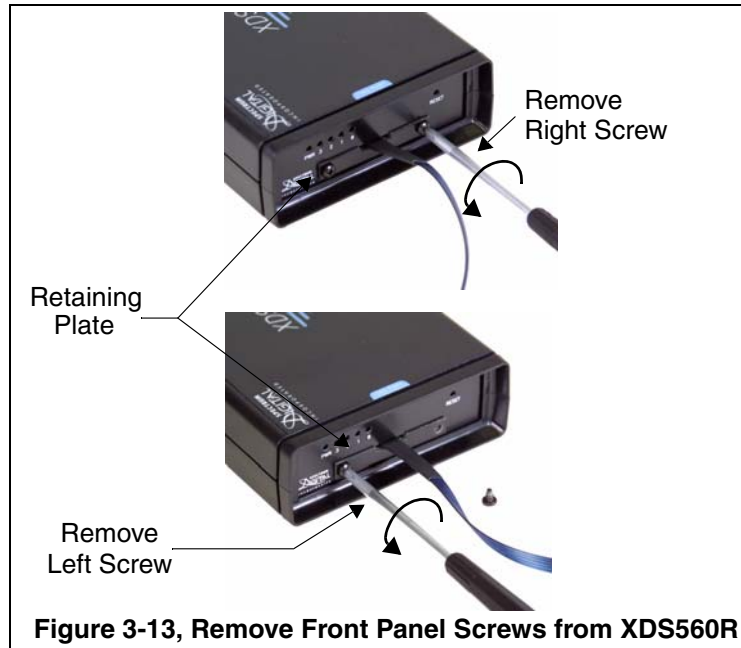
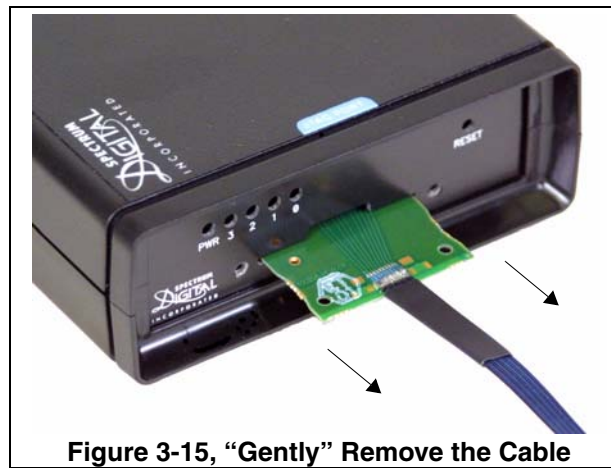


Figure 3-13, Remove Front Panel Screws from XDS560R

- ❑ Remove the cable retaining plate.



- ❑ Gently remove the cable.



- ❑ Gently insert the new cable with the gold tabs up.



Figure 3-16, Gently Insert New Cable

- ❑ Replace the cable retaining plate by securing the two front panel screws on the XDS560R emulator. If installed properly the retaining plate should not be bowed or bent.

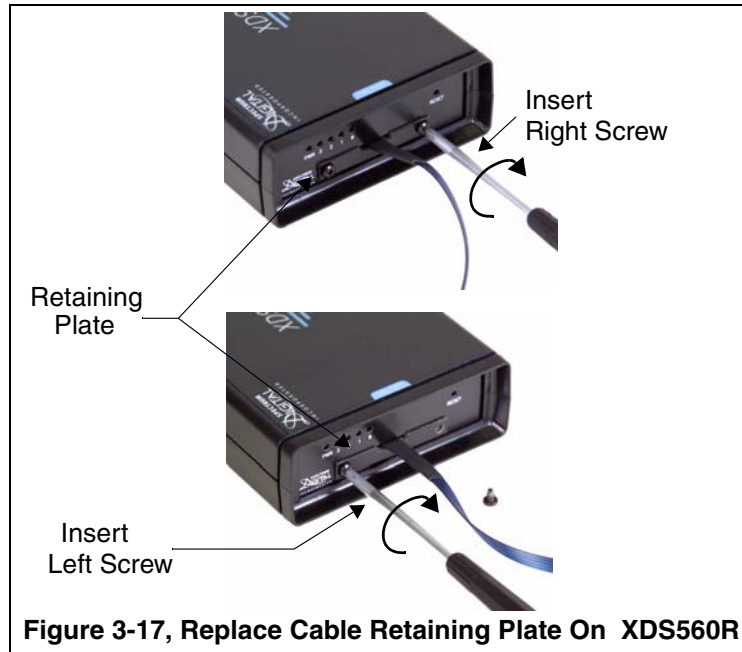
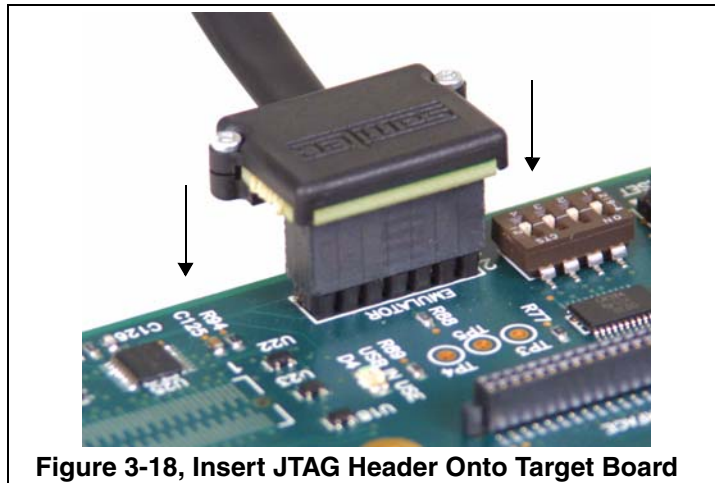


Figure 3-17, Replace Cable Retaining Plate On XDS560R

- Insert the JTAG header onto the target board.



- Attach the USB cable to the XDS560R emulator.



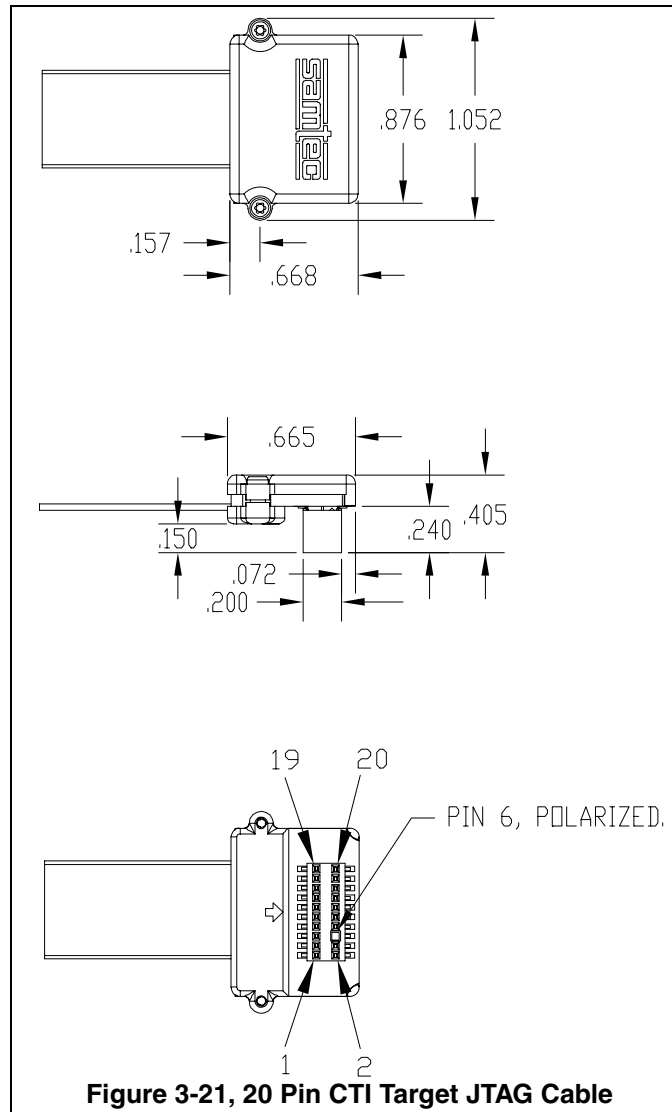
- Apply Power to the XDS560R emulator.

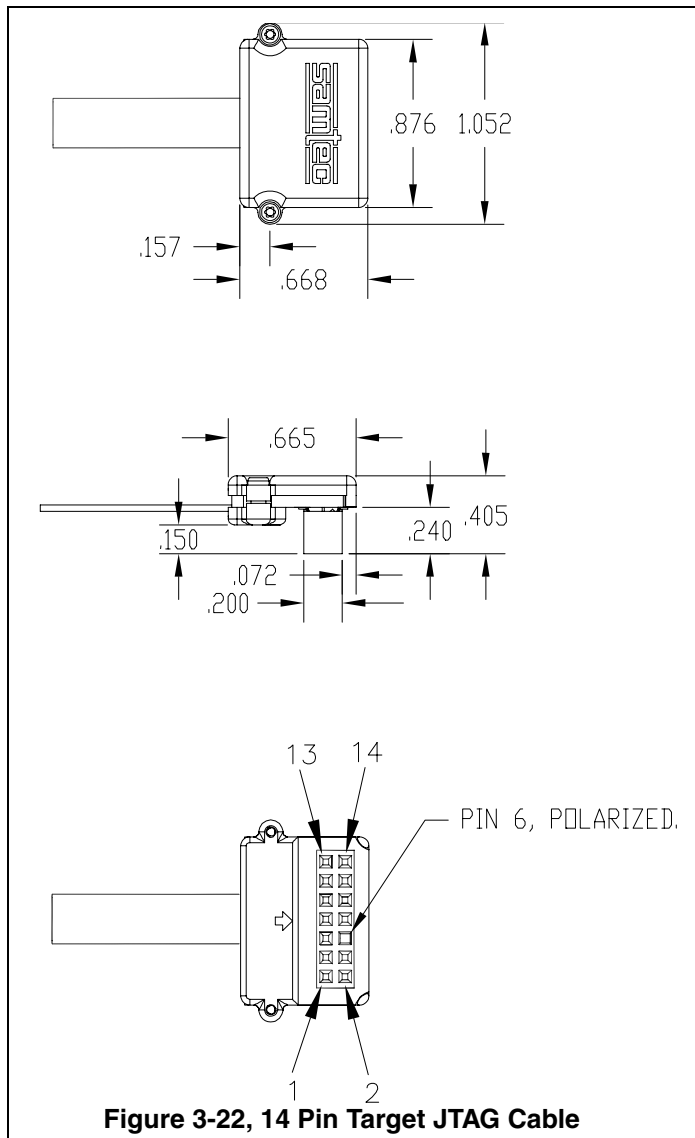


- Apply power to the target board.
- At the host system you may launch the debugger.

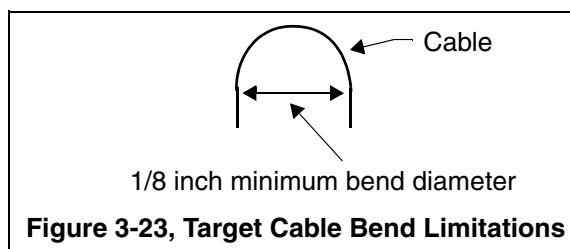
3.8 Target Cables

The XDS560R uses modular target cables that can be interchanged for use with specific target JTAG headers. The pin spacing in the cable header may vary from target cable to target cable based on the mating connector on the target board. Refer to the specification of the mating connector part numbers identified in Section 3.1 for the exact spacing of the pins on the board header used in your system. The mechanical information for two of these target cables is shown below.





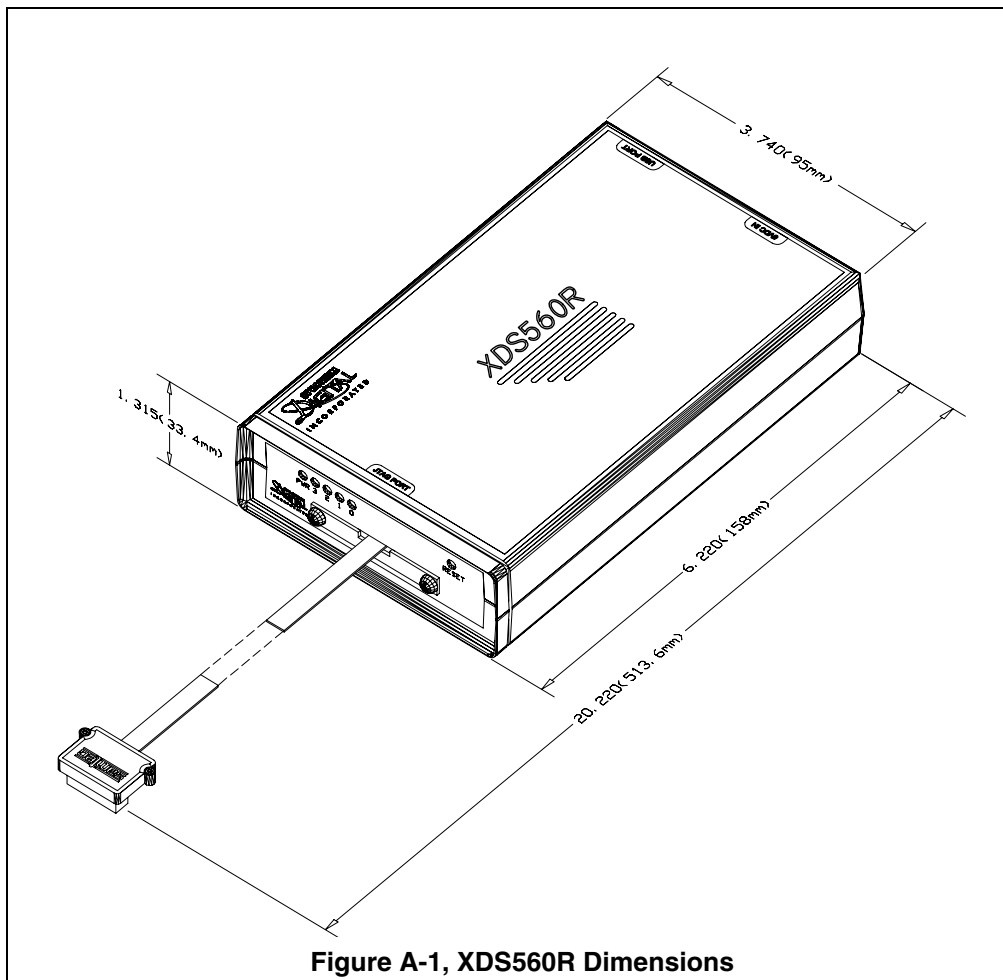
The target cable is flexible and about 13 inches long. It is made from micro coax cable. This type of cable has the following flex/bend limitations.



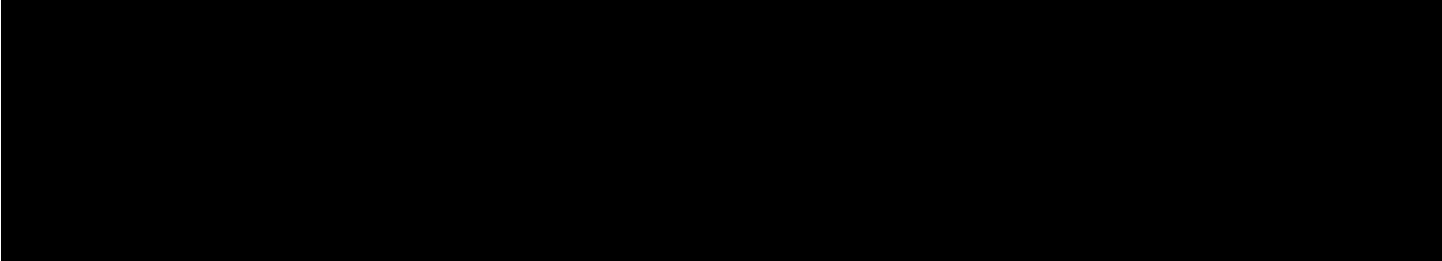
Appendix A

Mechanical Information

This appendix contains the mechanical information about the XDS560R JTAG Emulator produced by Spectrum Digital.



Note: All dimensions are in inches and are nominal dimensions, unless otherwise specified.



SPECTRUM
DIGITAL

INCORPORATED

Printed in U.S.A., August 2006
507355-0001 Rev B

